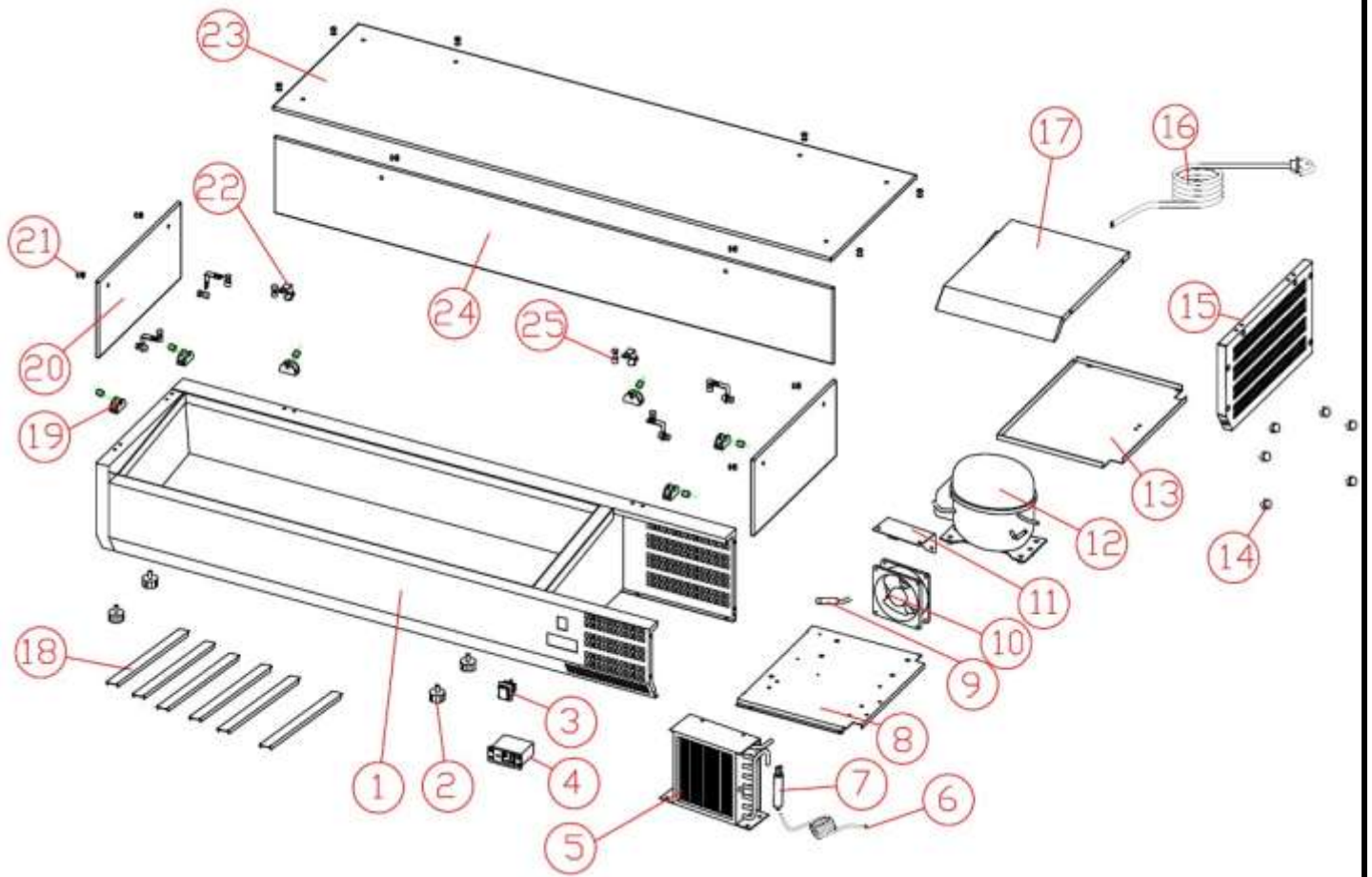



ВИТРИНА ХОЛОДИЛЬНАЯ TATRA TVR1600-7GN1/4



ВИТРИНА ХОЛОДИЛЬНАЯ ТАТРА TVR1600-7GN1/4

| | | | |
|----|-----------------------------------|------------------|----|
| 1 | CABINET | GXE-0-000-0029-0 | 1 |
| 2 | FEET | 12534010008 | 4 |
| 3 | POWER SWITCH | 17749210020 | 1 |
| 4 | CONTROLLER | 17709030002 | 1 |
| 5 | CONDENSER | 17302060230 | 1 |
| 6 | CAPILLARY | 15804040802 | 1 |
| 7 | DRYER FILTER | 17111180146 | 1 |
| 8 | COOLING UNIT BOARD | GXE-2-001-0132-0 | 1 |
| 9 | PROBE | 17649490013 | 1 |
| 10 | COND. FAN | 17701151238 | 1 |
| 11 | COND. FAN CONNECT METAL SHEET | GXE-2-001-0133-0 | 1 |
| 12 | COMPRESSOR | 17209010037 | 1 |
| 13 | SUPPORT BOARD FOR COMPRESSOR UNIT | GXE-2-001-0131-0 | 1 |
| 14 | LARGE PLASTIC BUTTON | 16369390066 | 6 |
| 15 | RIGHT SIDE COVER | GXE-2-001-0134-0 | 1 |
| 16 | POWER CORD | 17664640062 | 1 |
| 17 | TOP COVER | GXE-2-001-0135-0 | 1 |
| 18 | CACHEPOT | GXE-2-001-0140-0 | 6 |
| 19 | GLASS FIXED (WITH SCREW) | 12512120024 | 6 |
| 20 | SIDE GLASS | 14208180316 | 2 |
| 21 | RUBBER SLEEVE | 16411010002 | 12 |
| 22 | GLASS CONNECT | GXE-2-001-0137-0 | 6 |
| 23 | TOP GLASS | 14208331408 | 1 |
| 24 | REAR GLASS | 14208331403 | 1 |
| 25 | GLASS CONNECT SCREW AND NUT | 12512120023 | 12 |

| | | | | |
|--|--|--|--|---|
| | | | |  |
| | | | | |
| | | | | |
| | | | | |